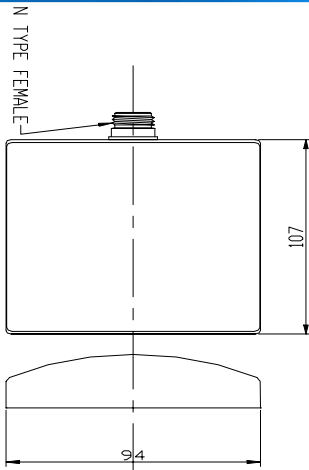


2.4 GHz Panel Antenna AirEther™ PA08



Unit : mm

TECHNICAL DATA

Electrical Properties

Frequency Range : 2400~2485 MHz

Impedance : 50 OHMS \pm 5 Ω

SWR : \leq 1.3

Gain : 8 dBi

Radiation : Directional

Polarization : Vertical

Mechanical Properties

Connector : N-FEMALE

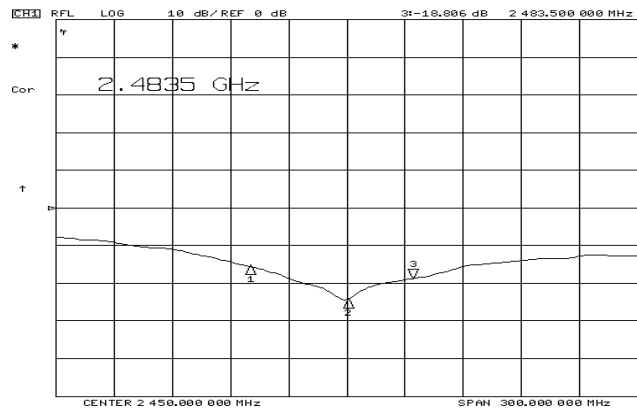
Weight : 300 g

Radiator : Copper

Radome : ABS

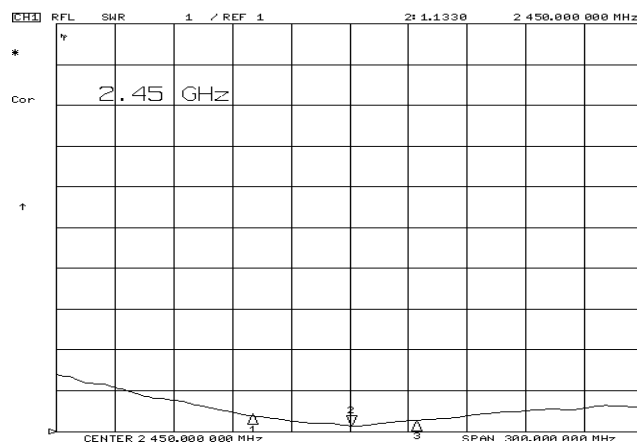
Size : L107mm x W94mm x H30mm

Return Loss



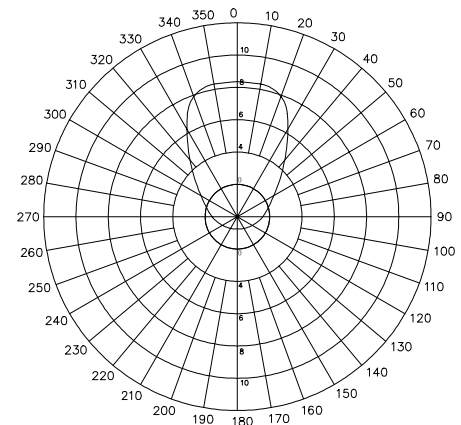
CH1 Markers
1: -15.461 dB
2.4835 GHz
2: -24.305 dB
2.4500 GHz

VSWR



CH1 Markers
1: 1.4046
2.48000 GHz
3: 1.2602
2.48350 GHz

E-PLANE FIELD PATTERNS



H-PLANE FIELD PATTERNS

